

Electric powered forklift 4.0 - 5.0 ton

TRAIKO⁸⁰



Electric powered forklift 4.0 - 5.0 ton

| Truck specifications | | | | | 8FBMT40 | 8FBMT45 | 8FBMT50 |
|----------------------|---|--|---|--------------------|--------------------|----------------------|----------------------|
| Identification | 1.1 | Manufacturer | | | Toyota | Toyota | Toyota |
| | 1.2 | Model | | | 8FBMT40 | 8FBMT45 | 8FBMT50 |
| | 1.3 | Drive | | | Electric | Electric | Electric |
| | 1.4 | Operator type | | | Rider seated | Rider seated | Rider seated |
| | 1.5 | Load capacity/rated load | Q | kg | 4000 | 4500 | 4990 |
| | 1.6 | Load centre | c | mm | 500 | 500 | 600 |
| | 1.8 | Load distance, centre of drive axle to fork | x | mm | 518 | 518 | 528 |
| | 1.9 | Wheelbase | y | mm | 2030 | 2030 | 2030 |
| Weight | 2.1 | Service weight | | kg | 6556 | 7086 | 7721 |
| | 2.2 | Axle load, with load, front/rear | | kg | 9555 / 1102 | 10261 / 1325 | 11316 / 1406 |
| | 2.3 | Axle load, without load, front/rear | | kg | 3558 / 3099 | 3515 / 3572 | 3548 / 4173 |
| Tyres | 3.1 | Tyre: C = Cushion, SE = Super elastic, PN = Pneumatic, TW = Twin | | | SE | SE | SE |
| | 3.2 | Tyre size, front | | | 250-15 | 250-15 | 28x12,5-15 |
| | 3.3 | Tyre size, rear | | | 23x9-10 | 23x9-10 | 23x9-10 |
| | 3.5 | Wheels, number front/rear (x = driven wheels) | | | 2 / 2 | 2 / 2 | 2 / 2 |
| | 3.6 | Track width, front | b ₁₀ | mm | 1119 | 1119 | 1145 |
| | 3.7 | Track width, rear | b ₁₁ | mm | 1113 | 1113 | 1113 |
| | Dimensions | 4.1 | Tilt of mast/fork carriage forward/backward | | | α/β deg | 5/10 |
| 4.2 | | Height, mast lowered | | | h ₁ mm | 2500 | 2500 |
| 4.3 | | Free lift | | | h ₂ mm | 130 | 140 |
| 4.4 | | Lift | | | h ₃ mm | 3300 | 3300 |
| | | Lift height | | | h ₂₃ mm | 3350 | 3360 |
| 4.5 | | Height, mast extended | | | h ₄ mm | 4156 | 4156 |
| 4.7 | | Height of overhead guard (cab) | | | h ₆ mm | 2360 | 2360 |
| 4.8 | | Seat height/stand height | | | h ₇ mm | 1277 | 1277 |
| 4.12 | | Coupling height | | | h ₁₀ mm | 550 | 550 |
| 4.19 | | Overall length | | | l ₁ mm | 3907 | 3947 |
| 4.20 | | Length to face of forks | | | l ₂ mm | 2907 | 2947 |
| 4.21 | | Overall width | | | b ₁ mm | 1345 | 1345 |
| 4.22 | | Fork dimensions | | | s/e/l mm | 50/150/1000 | 50/150/1000 |
| 4.23 | | Fork carriage DIN 15 173, class/type A, B | | | | IIIA | IIIA |
| 4.24 | | Fork-carriage width | | | b ₃ mm | 1170 | 1170 |
| 4.31 | | Ground clearance, with load, below mast | | | m ₁ mm | 150 | 150 |
| 4.32 | | Ground clearance, centre of wheelbase | | | m ₂ mm | 152 | 152 |
| 4.33 | | Aisle width for pallets 1000x1200 crossways | | | A _{st} mm | 4260 | 4276 |
| 4.34 | Aisle width for pallets 800x1200 lengthways | | | A _{st} mm | 4460 | 4476 | |
| 4.35 | Turning radius | | | W _a mm | 2543 | 2558 | |
| 4.36 | Internal turning radius | | | b ₁₃ mm | 685 | 685 | |
| Performance data | 5.1 | Travel speed, with/without load | | | km/h | 18/18 | 18/18 |
| | 5.2 | Lift speed, with/without load | | | m/s | 0,35/0,46 | 0,33/0,46 |
| | 5.3 | Lowering speed, with/without load | | | m/s | 0,55/0,46 | 0,55/0,46 |
| | 5.5 | Drawbar pull, with/without load | | | N | 12420 | 12420 |
| | 5.6 | Max. drawbar pull, with/without load | | | N | 22000 | 22000 |
| | 5.7 | Gradeability, with/without load | | | % | 11,3/17 | 9,5/16,8 |
| | 5.8 | Max. gradeability, with/without load | | | % | 15/25 | 14/24 |
| | 5.9 | Acceleration time, with/without load | | | s | 5,1/4,5 | 5,2/4,5 |
| | 5.10 | Service brake | | | | Mechanical/hydraulic | Mechanical/hydraulic |
| | Electric motor | 6.1 | Drive motor rating S2 60 min | | | kW | 25,2 |
| 6.2 | | Lift motor rating S3 15% | | | kW | 25,5 | 25,5 |
| 6.3 | | Battery acc. to DIN 43 531/35/36 A, B, C, no | | | | 43536 | 43536 |
| 6.4 | | Battery voltage, nominal capacity K ₅ | | | V/Ah | 80 / 840 | 80 / 840 |
| 6.5 | | Battery weight | | | kg | 2178 | 2178 |
| 6.6 | | Energy consumption acc. to EN16796:2016 | | | kWh/h | 9.8 | 10.8 |
| Other | 8.1 | Type of drive control | | | | AC | AC |
| | 8.2 | Operating pressure for attachments | | | bar | 160-180 | 160-180 |
| | 8.3 | Oil volume for attachments | | | l/min | 70 | 70 |
| | 8.4 | Sound level at the driver's ear according to EN 12 053 | | | dB(A) | 68 | 68 |

All data are based on table configuration. Other configurations may give other values.

Truck performance and dimensions are nominal and subject to tolerances.

Products and specifications are subject to change without notice.

Mast dimensions and rated capacities

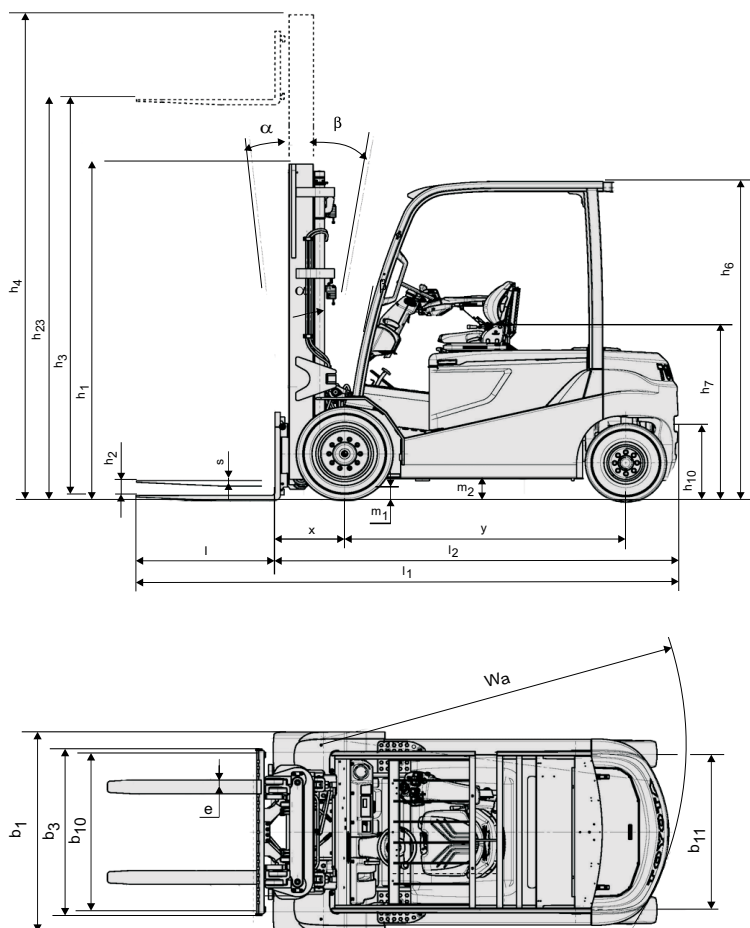
| Model | | | V | | | | | | | | FV/FW | | | | FSV/FSW | | | | | | | | |
|------------------|-------------------------------------|----------|------|------|------|------|------|------|------|------|-------|------|------|------|---------|------|------|------|------|------|------|------|------|
| 8FBMT40, 8FBMT45 | Lift height | h_{23} | 3050 | 3350 | 3750 | 4050 | 4550 | 5050 | 5550 | — | 3050 | 3350 | 3750 | 4050 | — | 4200 | — | 4450 | 4750 | 5050 | 5550 | 6050 | 6550 |
| | Lift | h_3 | 3000 | 3300 | 3700 | 4000 | 4500 | 5000 | 5500 | — | 3000 | 3300 | 3700 | 4000 | — | 4150 | — | 4400 | 4700 | 5000 | 5500 | 6000 | 6500 |
| | Height, mast lowered | h_1 | 2360 | 2500 | 2750 | 2880 | 3130 | 3380 | 3630 | — | 2360 | 2500 | 2750 | 2880 | — | 2200 | — | 2360 | 2440 | 2500 | 2750 | 2880 | 3130 |
| | Height, mast extended ¹⁾ | h_4 | 3856 | 4156 | 4560 | 4856 | 5356 | 5856 | 6356 | — | 3890 | 4190 | 4590 | 4890 | — | 5040 | — | 5290 | 5590 | 5890 | 6390 | 6890 | 7390 |
| | Height, mast extended ²⁾ | h_4 | 4270 | 4570 | 4970 | 5270 | 5770 | 6270 | 6770 | 4570 | 4910 | 4970 | 5270 | — | 5270 | 5570 | 5770 | 5970 | 6270 | 6770 | 7270 | 7200 | 7700 |
| | Free lift, without load backrest | h_2 | 110 | 110 | 110 | 110 | 110 | 110 | 1510 | 1660 | 1760 | 1910 | 2110 | — | 1430 | 1510 | 1580 | 1660 | 1760 | 1910 | 2110 | 1990 | 2240 |
| | Free lift, with load backrest | h_2 | 110 | 110 | 110 | 110 | 110 | 110 | 980 | 1130 | 1230 | 1380 | 1580 | — | 900 | 980 | 1030 | 1130 | 1230 | 1380 | 1580 | 1680 | 1930 |
| 8FBMT50 | Lift height | h_{23} | 3060 | 3360 | 3760 | 4060 | 4560 | 5060 | 5560 | 2860 | — | 3360 | 3760 | 4060 | 4060 | — | 4360 | — | 4760 | 5060 | 5560 | 6060 | 6560 |
| | Lift | h_3 | 3000 | 3300 | 3700 | 4000 | 4500 | 5000 | 5500 | 2800 | — | 3300 | 3700 | 4000 | 4000 | — | 4300 | — | 4700 | 5000 | 5500 | 6000 | 6500 |
| | Height, mast lowered | h_1 | 2360 | 2500 | 2750 | 2880 | 3130 | 3380 | 3630 | 2360 | — | 2630 | 2880 | 3130 | 2200 | — | 2360 | — | 2500 | 2630 | 2880 | 3130 | 3380 |
| | Height, mast extended ¹⁾ | h_4 | 3956 | 4156 | 4560 | 4856 | 5356 | 5856 | 6356 | 3690 | — | 4190 | 4590 | 4890 | 4890 | — | 5190 | — | 5590 | 5890 | 6390 | 6890 | 7390 |
| | Height, mast extended ²⁾ | h_4 | 4200 | 4500 | 4900 | 5200 | 5700 | 6200 | 6700 | 4000 | — | 4500 | 4900 | 5200 | 5200 | — | 5500 | — | 5900 | 6200 | 6700 | 7200 | 7700 |
| | Free lift, without load backrest | h_2 | 80 | 80 | 80 | 80 | 80 | 80 | 80 | 1470 | — | 1740 | 1990 | 2240 | 1310 | — | 1470 | — | 1610 | 1740 | 1990 | 2240 | 2490 |
| | Free lift, with load backrest | h_2 | 80 | 80 | 80 | 80 | 80 | 80 | 80 | 1160 | — | 1430 | 1680 | 1930 | 1000 | — | 1160 | — | 1300 | 1430 | 1680 | 1930 | 2180 |

1) Without load backrest.

2) With load backrest; Height of standard load backrest is 1200 mm.

| Pneumatic shaped cushion tyre | | | V | | | | | | | | FV/FW | | | | FSV/FSW | | | | | | | | |
|-------------------------------|----------------------------|-----|-------|-------|-------|-------|------|------|------|-------|-------|-------|-------|-------|---------|------|------|------|------|------|------|------|------|
| 8FBMT40 | Tilt range, forward | deg | 5 | 5 | 5 | 5 | 5 | 5 | 5 | — | 5 | 5 | 5 | 5 | — | 5 | — | 5 | 5 | 5 | 5 | 5 | 5 |
| | Tilt range, backward | deg | 10(6) | 10(6) | 10(6) | 10(6) | 6 | 6 | 6 | — | 10(6) | 10(6) | 10(6) | 10(6) | — | 6 | — | 6 | 6 | 6 | 6 | 6 | 6 |
| | Load capacity at 500 mm LC | kg | 4000 | 4000 | 4000 | 4000 | 4000 | 4000 | 3950 | — | 4000 | 4000 | 4000 | 4000 | — | 4000 | — | 4000 | 4000 | 4000 | 3850 | 3710 | 3400 |
| 8FBMT45 | Tilt range, forward | deg | 5 | 5 | 5 | 5 | 5 | 5 | 5 | — | 5 | 5 | 5 | 5 | — | 5 | — | 5 | 5 | 5 | 5 | 5 | 5 |
| | Tilt range, backward | deg | 10(6) | 10(6) | 10(6) | 10(6) | 6 | 6 | 6 | — | 10(6) | 10(6) | 10(6) | 10(6) | — | 6 | — | 6 | 6 | 6 | 6 | 6 | 6 |
| | Load capacity at 500 mm LC | kg | 4500 | 4500 | 4500 | 4500 | 4500 | 4500 | 4450 | — | 4500 | 4500 | 4500 | 4500 | — | 4500 | — | 4500 | 4500 | 4470 | 4340 | 4210 | 3650 |
| 8FBMT50 | Tilt range, forward | deg | 5 | 5 | 5 | 5 | 5 | 5 | 5 | — | 5 | 5 | 5 | 5 | — | 5 | — | 5 | 5 | 5 | 5 | 5 | 5 |
| | Tilt range, backward | deg | 10(6) | 10(6) | 10(6) | 10(6) | 6 | 6 | 6 | 10(6) | — | 10(6) | 10(6) | 10(6) | 6 | — | 6 | — | 6 | 6 | 6 | 6 | 6 |
| | Load capacity at 600 mm LC | Kg | 4990 | 4990 | 4990 | 4990 | 4990 | 4990 | 4950 | 4990 | — | 4990 | 4990 | 4990 | 4990 | — | 4990 | — | 4970 | 4890 | 4750 | 4610 | 3850 |

Data in () are for when "Cabin Series" or front windshield is selected.



Standard equipments:

- Toyota SAS (System of Active Stability)
- Toyota AC power system
- Operator presence sensing system (OPS)
- Toyota ORS seat (Operator Restraint System)
- Seat mounted hydraulic minilevers
- Wide visible mast (MFH:3300)
- Long forks [length: 1000 mm (8FBMT40-45), 1200 mm (8FBMT50)]
- Long forkbar [length:1170 mm (8FBMT40-50)]
- 3 way valves
- Wet disc brakes
- Wide brake pedal
- Pneumatic shaped cushion tyres
- Full hydraulic power steering
- Digital Multifunction Display with wheel indicator
- Memory tilt steering column
- Emergency stop button in armrest

